



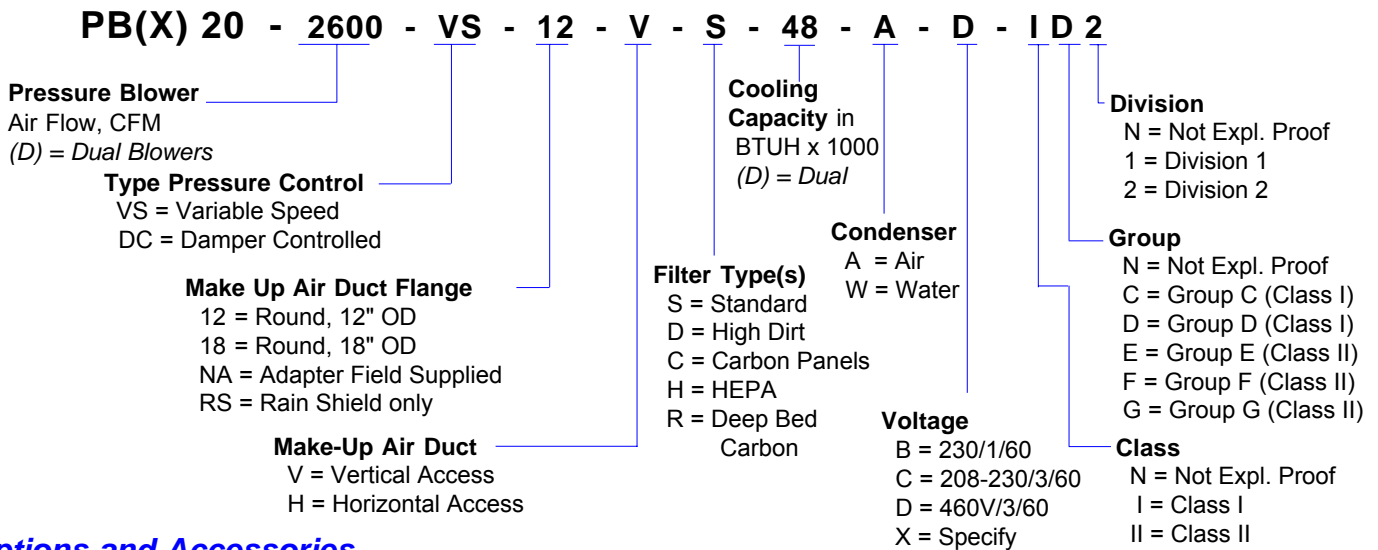
# AIR CONDITIONING with PRESSURIZATION

## PB(X) 20 Air Conditioning with Pressurization Blowers

### How to Order

- 1.- Determine the **maximum** air flow required by the PB or PBX (explosion proof) pressure blower. NFPA 496 requires a **minimum of 60 feet per minute** across door and other room openings
- 2.- Determine cooling and (optional) heating capacity for the air conditioning module. For computer assisted load calculation contact factory and request Technical Support Bulletin HVLO1FRM.
- 3.- Determine hazard classification outside of the pressurized structure, e.g. NEC Class I, Group D, Division 2..
- 4.- Determine the model number following the description below.
- 5.- Select additional options and accessories that may be required. Order these items separately.
- 4.- For technical or pricing information contact your local representative or Sales Engineering at (800) 654-3857.

### Model Number Description



### Options and Accessories

Model	Description
PB EH(kw)	Auxiliary Electric Heat, (specify kw), with pressure interlock, available for Division 2 only .....
PB SH(BTUH)	Auxiliary Steam Heater, (specify BTUH), less trap or control solenoid (specify steam pressure) .....
PB 20-DCI	Disconnect Switch and Circuit Breaker, installed .....
PB 20-ASC-1	Automatic Switchover, Dual Pressure Blowers only, w/disconnect and circuit breaker, installed .....
PB 20-ASC-2	Automatic Switchover, Dual Pressure Blowers, Dual Air Conditioners, w/disconnect and circuit breaker .....
PB 20-A2	Replacement Filters, 4" particulate, for Make-Up Air Filter Housing, Box of 3 .....
PB 20-A9	Make-Up Air Stack Adapter Elbow, 90°, for connecting PB 20-A3 to make-up air inlet .....
PB 20-A3(____")	Make-up Air Duct, 12" or 18" O.D. (specify), flanged 10 ft section, with flange bolts .....
PB 20-A4	Rain cap Protective Air Inlet Cover, with bird screen and hardware, for connection to PB 20-A3 .....
PB 20-A5	Alarm Horn, connects to built-in alarm contacts to signal pressure loss .....
PB 20-A6	Automatic Purge Control, timed purge provides adjustable delay period .....
PB 20-A7	Barometric Control Damper, wall mount, for use with 'DC' pressure control option .....
PB 20-11	Full Corrosion Protection: Sheet Metal Parts Protected with Epoxy Paint; coils w/SaveCoil .....
PB-20-98	Smoke Detector, Explosion Proof, installed with system interlock .....
PB 20-99	Gas Detector (specify gas and concentration), installed with system interlock .....

Your Representative is:



**SCIENTIFIC SYSTEMS CORPORATION**

7924 Reco Avenue  
Baton Rouge, Louisiana 70814 USA  
Phone (225) 926-6950  
Inside U.S. (800) 654-3857  
FAX (225) 926-6973