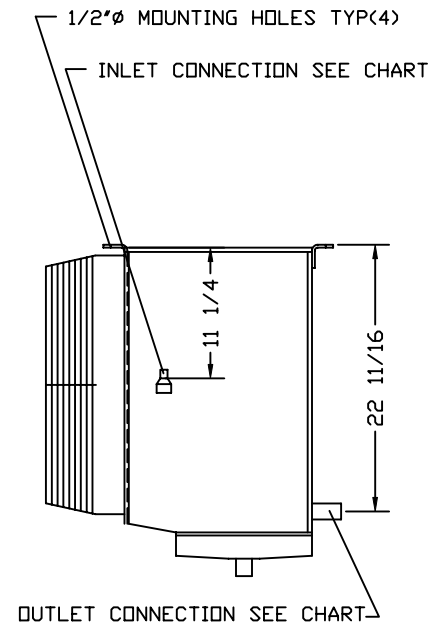
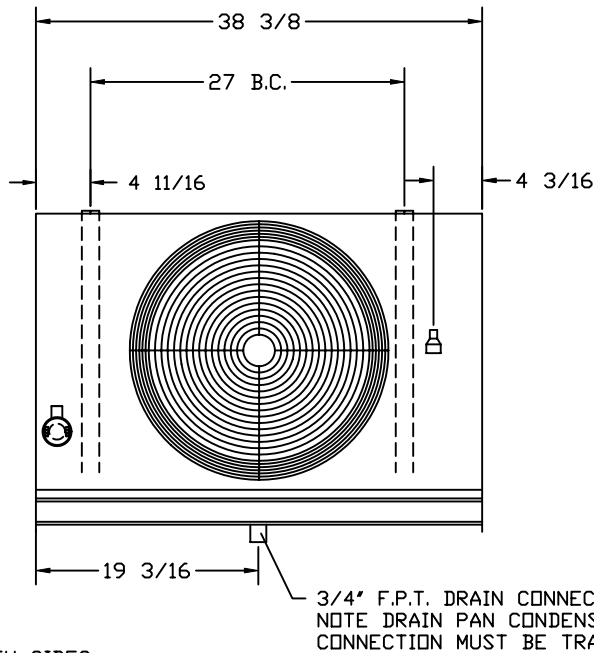
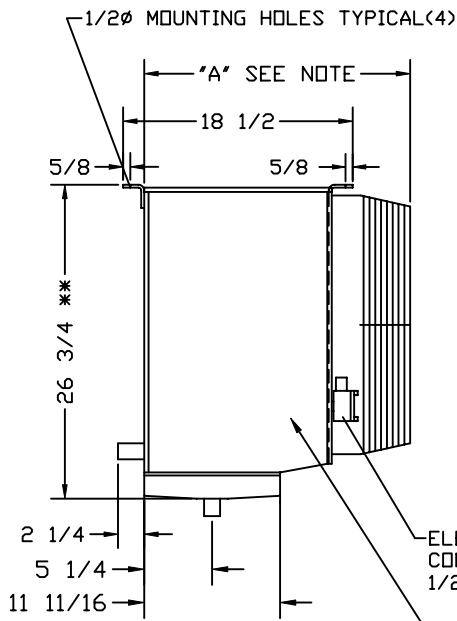


ALL DIMENSIONS SHOWN IN INCHES



	MODEL NO.	FINS PER INCH	CAPACITY BTUH 10° TD	CAPACITY BTUH 15° TD	AIR FLOW C.F.M.	CONNECTIONS		SHIP. WT. LBS
						INLET	OUTLET	
MED. TEMP.	□UCX27-18-133, -A, -HG	8	13300	19950	2710	1/2 ODS	7/8 ODS	175
	□UCX27-18-160, -A, -HG	8	16000	24000	2625	1/2 ODS	7/8 ODS	180
	□UCX27-16-118, -A, -HG	6	11800	17700	2815	1/2 ODS	7/8 ODS	175
	□UCX27-16-145, -A, -HG	6	14500	21750	2725	1/2 ODS	7/8 ODS	180
	□UCX27-14-121, -A, -HG	4	12100	18150	2960	1/2 ODS	7/8 ODS	180
	□UCX27-14-094, -A, -HG	4	9400	14100	3060	1/2 ODS	7/8 ODS	175
	□UCX27-14-068, -A, -HG	4	6800	10200	3245	1/2 ODS	7/8 ODS	165
	□UCX27-16-086, -A, -HG	4	8600	12900	2985	1/2 ODS	7/8 ODS	165
LOW TEMP.	□UCX27-16-103, -A, -HG	6	10300 *	15450 *	2815	1/2 ODS	7/8 ODS	175
	□UCX27-16-127, -A, -HG	6	12700 *	19050 *	2725	1/2 ODS	1-1/8 ODS	180
	□UCX27-14-82, -A, -HG	4	8200 *	12300 *	3060	1/2 ODS	7/8 ODS	175
	□UCX27-14-105, -A, -HG	4	10500 *	15750 *	2960	1/2 ODS	1-1/8 ODS	180

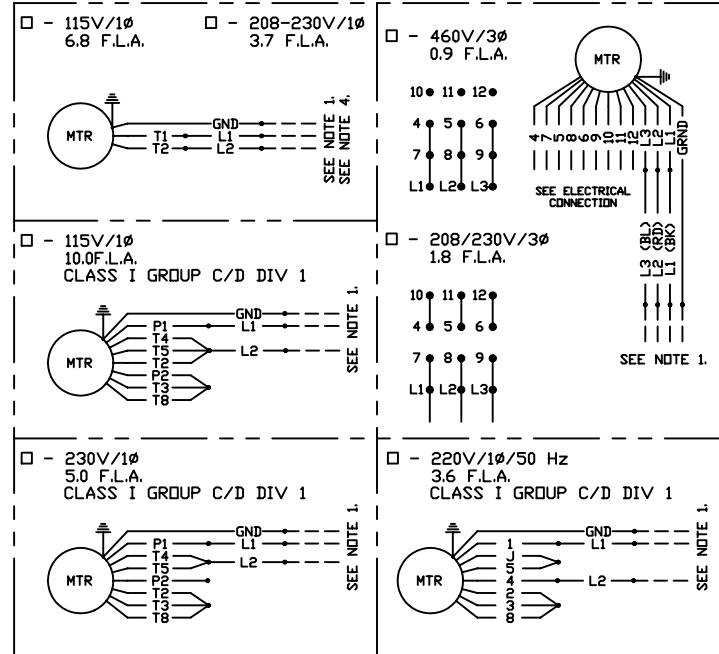
MECHANICAL NOTES:

- HOUSING - STUCCO ALUMINUM
- DIMENSION A IS 19 0/0" FOR CLASS 1 GROUPS B,C OR D DIV. 2
- DIMENSION A IS 22 0/0" FOR CLASS 1 GROUP D & C/D DIV. 1 AND FOR CLASS 1 GROUP D & C/D DIV. 2 SINGLE PHASE MOTORS
- STANDARD DRAIN PAN - STUCCO ALUMINUM
- OPTIONAL DRAIN PAN - STUCCO ALUMINUM, WITH HOT GAS TRACER, INSULATED, AND OUTER ALUMINUM COVER
- STANDARD COIL - COPPER TUBES & ALUMINUM FINS
- OPTIONAL COIL - COPPER TUBES & COPPER FINS
- OPTIONAL COIL COATING - SafeCoil 101
- MOTORS - 1/4 H.P. MODIFIED TENV 1140 RPM, 115/208-230/1Ø N.E.C. CLASS I GROUP D DIVISION 2
- MOTORS - 1/3 H.P. TEFC 1140 RPM N.E.C. CLASS I GROUP B,C OR D DIVISION 2
- MOTORS - 1/3 H.P. 1140 RPM N.E.C. CLASS I GROUP D DIVISION 1
- MOTORS - 1/3 H.P. 1140 RPM N.E.C. CLASS I GROUP C & D DIVISION 1
- STANDARD 60 HERTZ APPLICATIONS
- OPTIONAL 50 HERTZ APPLICATIONS

* RATED @ -20°F SATURATED SUCTION TEMPERATURE
 ** FOR OPTIONAL INSULATED DRAIN PAN, ADD 5/8".

ELECTRICAL NOTES:

1. FUSE LINE SUPPLY PER N.E.C. ARTICLE 430.
2. DASHED LINES DENOTES SUPPLIED BY OTHERS.
3. SEAL CONDUIT CONNECTIONS PER N.E.C. ARTICLE 501.
4. CONNECTIONS ARE SHOWN FOR CW ROTATION FACING OPPOSITE SHAFT.
5. ADD 20% TO TOTAL AMPS SHOWN IN THE ABOVE TABLE FOR 50 HZ APPLICATIONS.



.X= ± 0.1" .XX= ± 0.05" .XXX= ± 0.01" FRACTIONS= ± 1/8" ANGLES= ± 1.0°		<p>SCIENTIFIC SYSTEMS CORPORATION A Member of Marduk Holding Corp.</p>	EXPLOSION PROOF UNIT COOLER SINGLE FANS ENGINEERING DATA SHEET	JOB# REV F DATE 08/99
MATRL	DRWN ML/ARG			
FINISH	CHKD			
ACAD#	50060036	APVD	DWG.# 006-50-0036	



SPECIFICATIONS for UNIT COOLERS

Model No: UC _____

**Unit Cooler Configuration
Room Size**

Ceiling Mount () Floor Mount () for Refrigerant R_____
 _____ ft (mm) x _____ ft (mm) x _____ ft (mm) High

Hazard Classification

Not Classified () NEC Class ____ Group ____ Division ____

Cooling Coil

Cu / Al () Cu / Cu () SaveCoil 101 () _____ fins/inch

Cooling Load

Storage Temperature to be Maintained _____ °F (°C) +/- _____
 _____ BTUH (kcal-hr) @ _____ TD @ _____ °F (°C)
 _____ BTUH (kcal-hr) @ _____ TD @ _____ °F (°C)

Fan Motor(s)

Explosion Proof () TEFC or TENV () Open ()
 Motor(s) _____ HP Direct Drive () Belt ()

Fan Performance

No of Fans (Motors) ____ ea ; Total Air Flow _____ CFM

Accessories and Options

Defrost: () None () Air () Hot Gas
 Insulated Drain Pan () Hot Gas Traced ()
 Liquid Line Solenoid () Disconnect Switch Installed ()
 Epoxy Painted Housing () Expansion Valve Installed ()
 Thermostat () _____

Electrical Requirements

Voltage: 115 () 208/1 () 230/1 ()
 _____ () 208/230/3 () 460/3 () 380/3 ()
 60 Hertz () 50 Hertz () _____ Amps

Dimensions and Weight

Length _____ Depth _____ Height _____
 Weight _____ Net () Ship () Crated Volume _____

Comments

Quotation No. _____

Date _____

Signed _____



**SCIENTIFIC
SYSTEMS
CORPORATION**

7924 Reco Avenue, Baton Rouge, LA 70814

Phone (225) 926-6950

Toll Free (800) 654-3857

FAX (225) 926-6973