



## VA 40 Series

### Vertical Air Conditioners

for

*Severe Duty and Hazardous Locations*



#### FEATURES

- Engineered for Severe Industrial and Marine Service
- Capacities from 3 to 12.5 tons
- Compact Vertical Design has Minimum Footprint
- Explosion Proof Models for Hazardous Locations \*
- Automatic Building Pressurization to Meet NFPA 496 \*\*
- Steam or Electric Heaters \*
- Rugged Steel Cabinets are Two-Part Epoxy Protected with Beige or Blue Urethane Topcoat
- Type 316 Stainless Steel Cabinets\*
- *SaveCoil 101* Baked Protective Coil Coatings\*
- Three-Year Limited Warranty on Entire System

#### APPLICATIONS

- Control Rooms, Motor Control Centers and Analyzer Buildings
- Offshore Oil & Gas Platform Crew Quarters and Control Building
- Computer Rooms
- Chemical and Pharmaceutical Plants
- Gas Pipeline and Compressor Stations
- Hazardous Material Storage
- Painting and Solvent Use and Storage Areas
- Grain Transfer and Storage Buildings
- Ordnance Plants and Armories

#### DESCRIPTION

**VA 40 Series Air Conditioners** are engineered for severe duty industrial and offshore service. Explosion proof models meet the requirements for use in hazardous locations under the National Electrical Code (NEC) Class I, Groups B, C and D or Class II, Groups E, F, and G in Divisions 1 and 2.

These rugged air conditioners are built for maximum performance, reliability and safety. Cabinets are 14 ga galvaneal steel with 16 ga access panels. A two-part epoxy primer and attractive textured urethane topcoat provide excellent corrosion protection. Drain pans are Heliarc welded stainless steel. All mechanical and electrical components are selected for durability and minimum need for maintenance in demanding industrial environments. Switches and annunciator lights are sealed and industrial grade. Circulating air blowers are belt driven with adjustable speed pulleys. Bearings are permanently lubricated. Severe service motors are totally enclosed (TEFC) with a 1.15 service factor.

When simultaneous building pressurization (NFPA 496) is required, **PB 24\*\* Combined Air Conditioning / Pressurization** units must be specified. Other options and accessories include explosion proof models, stainless steel cabinets, steam or electric heaters, **SaveCoil 101\*\*** baked phenoxy coil coatings, and water-cooled condensers.

\* Optional

\*\* Request Product Bulletin



# AIR CONDITIONERS, Severe Duty

## 60 Hertz Models

Model	Cool	AirFlow	Voltage	MCA	Width	Length	Height	Weight	Price
	BTUH	CFM	Volts/Ph @ 60 Hz	Amps	Inches	Inches	Inches	Net Lbs	US \$
VA 40-H-03.0-1-B-***	36,000	1200	208/230/1	27	31	48	84	650	_____
VA 40-H-03.0-1-C-***	36,000	1200	208/230/3	18	31	48	84	650	_____
VA 40-H-03.0-1-D-***	36,000	1200	460/3	9	31	48	84	650	_____
VA 40-H-04.0-1-B-***	48,000	1600	208/230/1	36	31	48	84	670	_____
VA 40-H-04.0-1-C-***	48,000	1600	208/230/3	25	31	48	84	670	_____
VA 40-H-04.0-1-D-***	48,000	1600	460/3	12	31	48	84	670	_____
VA 40-H-05.0-1-C-***	60,000	2000	208/230/3	31	31	48	84	800	_____
VA 40-H-05.0-1-D-***	60,000	2000	460/3	16	31	48	84	800	_____
VA 40-H-07.5-1-C-***	90,000	3000	208/230/3	43	31	88	84	1050	_____
VA 40-H-07.5-1-D-***	90,000	3000	460/3	21	31	88	84	1050	_____
VA 40-H-10.0-2-C-***	120,000	4000	208/230/3	56	31	88	84	1450	_____
VA 40-H-10.0-2-D-***	120,000	4000	460/3	30	31	88	84	1450	_____
VA 40-H-12.5-2-C-***	150,000	5000	208/230/3	72	31	88	84	1500	_____
VA 40-H-12.5-2-D-***	150,000	5000	460/3	32	31	88	84	1500	_____
VA 40-U-03.0-1-B-***	36,000	1200	208/230/1	27	31	48	84	650	_____
VA 40-U-03.0-1-C-***	36,000	1200	208/230/3	18	31	48	84	650	_____
VA 40-U-03.0-1-D-***	36,000	1200	460/3	9	31	48	84	650	_____
VA 40-U-04.0-1-B-***	48,000	1600	208/230/1	36	31	48	84	670	_____
VA 40-U-04.0-1-C-***	48,000	1600	208/230/3	25	31	48	84	670	_____
VA 40-U-04.0-1-D-***	48,000	1600	460/3	12	31	48	84	670	_____
VA 40-U-05.0-1-C-***	60,000	2000	208/230/3	31	31	48	84	800	_____
VA 40-U-05.0-1-D-***	60,000	2000	460/3	16	31	48	84	800	_____
VA 40-U-07.5-1-C-***	90,000	3000	208/230/3	43	31	88	84	1050	_____
VA 40-U-07.5-1-D-***	90,000	3000	460/3	21	31	88	84	1050	_____
VA 40-U-10.0-2-C-***	120,000	4000	208/230/3	56	31	88	84	1450	_____
VA 40-U-10.0-2-D-***	120,000	4000	460/3	30	31	88	84	1450	_____
VA 40-U-12.5-2-C-***	150,000	5000	208/230/3	72	31	88	84	1500	_____
VA 40-U-12.5-2-D-***	150,000	5000	460/3	32	31	88	84	1500	_____

## 50 Hertz Models

Model	Cool	AirFlow	Voltage	MCA	Width	Length	Height	Weight	Price
	Kg-cal/kwh	Liters/Sec	Volts/Ph @ 50 Hz	Amps	mm	mm	mm	Kg	US \$
VA 40-H-03.0-1-B*-***	9,070	566	220/1	C	787	1219	2134	295	_____
VA 40-H-03.0-1-D*-***	9,070	566	380/3	O	787	1219	2134	295	_____
VA 40-H-04.0-1-B*-***	12,100	755	220/1	N	787	1219	2134	304	_____
VA 40-H-04.0-1-D*-***	12,100	755	380/3	T	787	1219	2134	304	_____
VA 40-H-05.0-1-D*-***	15,100	944	380/3	A	787	2235	2134	363	_____
VA 40-H-07.5-1-D*-***	21,170	1416	380/3	C	787	2235	2134	476	_____
VA 40-H-10.0-2-D*-***	30,240	1888	380/3	T	787	2235	2134	658	_____
VA 40-H-12.5-2-D*-***	37,800	2360	380/3		787	2235	2134	680	_____
VA 40-U-03.0-1-B*-***	9,070	566	220/1	F	787	1219	2134	295	_____
VA 40-U-03.0-1-D*-***	9,070	566	380/3	A	787	1219	2134	295	_____
VA 40-U-04.0-1-B*-***	12,100	755	220/1	C	787	1219	2134	304	_____
VA 40-U-04.0-1-D*-***	12,100	755	380/3	T	787	1219	2134	304	_____
VA 40-U-05.0-1-D*-***	15,100	944	380/3	O	787	2235	2134	363	_____
VA 40-U-07.5-1-D*-***	21,170	1416	380/3	R	787	2235	2134	476	_____
VA 40-U-10.0-2-D*-***	30,240	1888	380/3	Y	787	2235	2134	658	_____
VA 40-U-12.5-2-D*-***	37,800	2360	380/3		787	2235	2134	680	_____



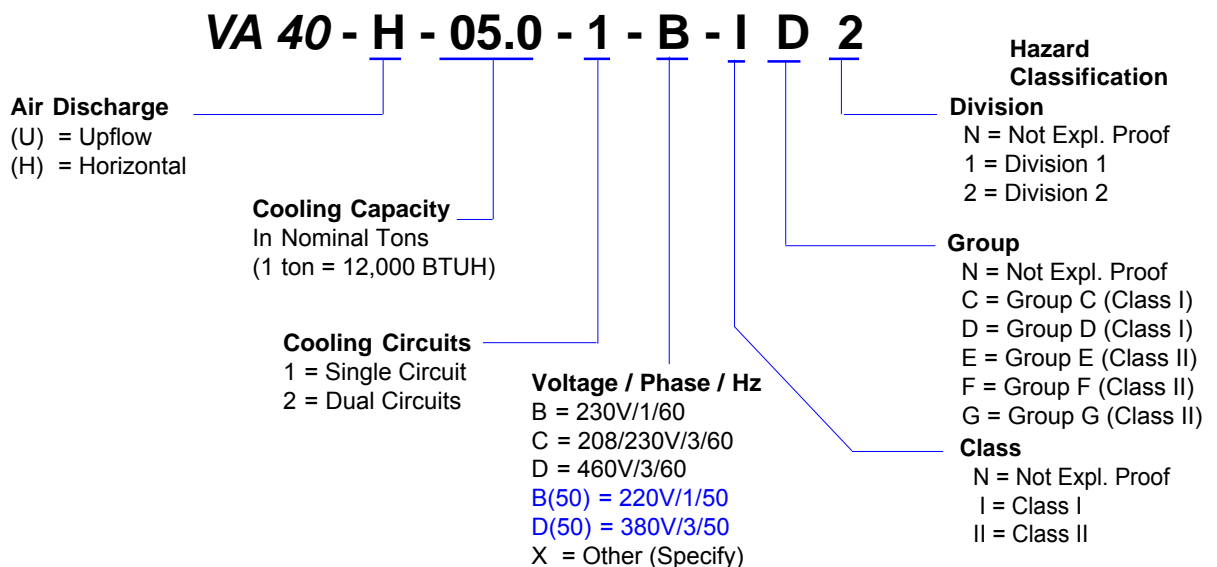
# AIR CONDITIONERS, Severe Duty

## VA 40 Series Vertical Air Conditioners

### How to Order

- 1.- Determine required cooling capacity in nominal tons (12,000 BTUH per ton). For computer assisted load calculations contact factory and request Technical Support Bulletin REHV1FRM.
- 2.- Determine required voltage configuration. Models are available for 50 or 60 Hertz.
- 3.- For 'explosion proof' models determine hazard classification per National Electric Code. For example: Class I, Group D, Division 2. For models with combined pressurization and air conditioning request bulletin AIPR3PSS.
- 4.- Determine if supply air discharge shall be upward or horizontal. Return air opening is always in the same location.
- 5.- Select the model number by following the order code below.
- 6.- Then select the desired Accessories and Options. Add a slash (/) and the code for each selected item to the end of the model number. For example: **VA 40 - H - 05.0 - 1 - B - ID2 / EH(4) / FDI**

### Model Number Description



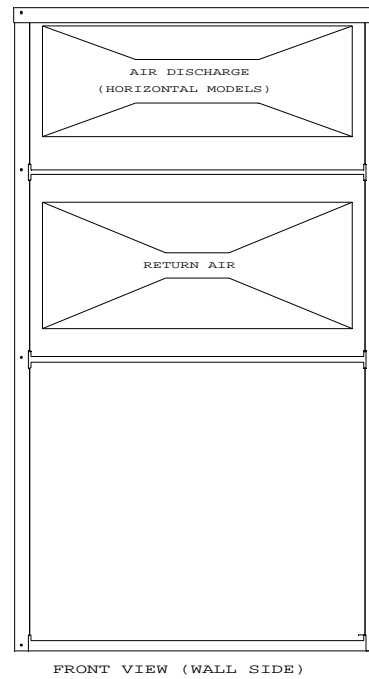
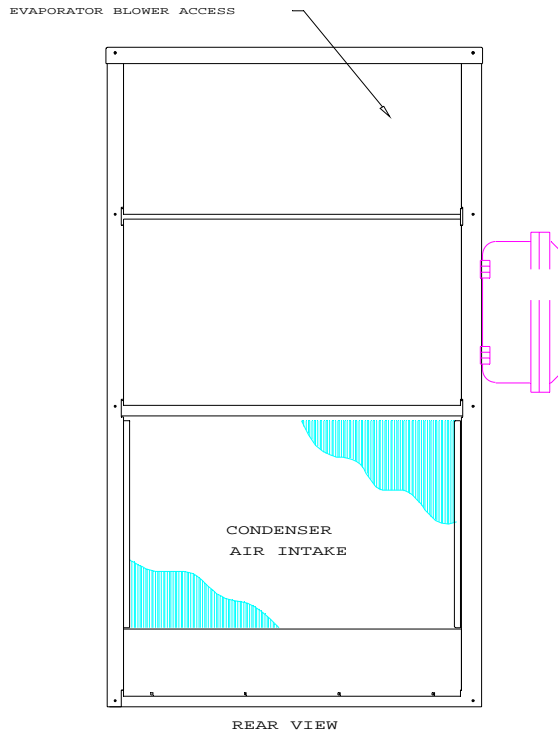
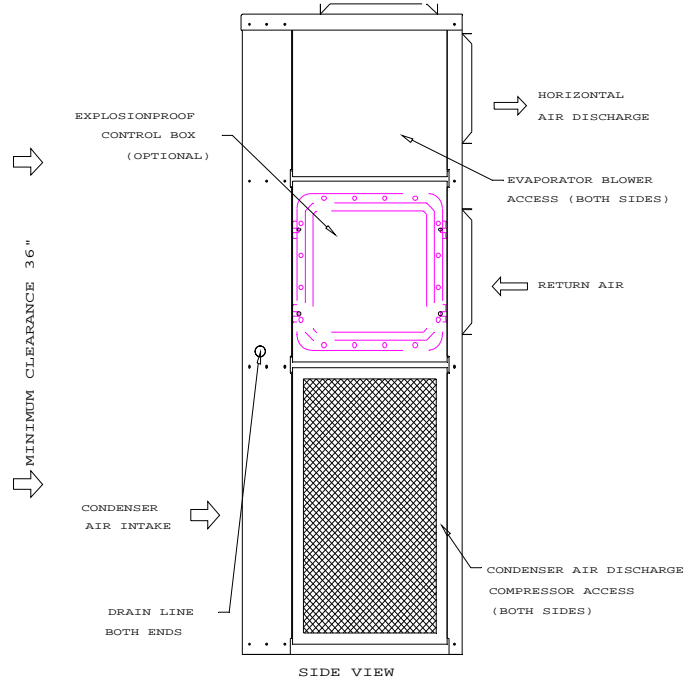
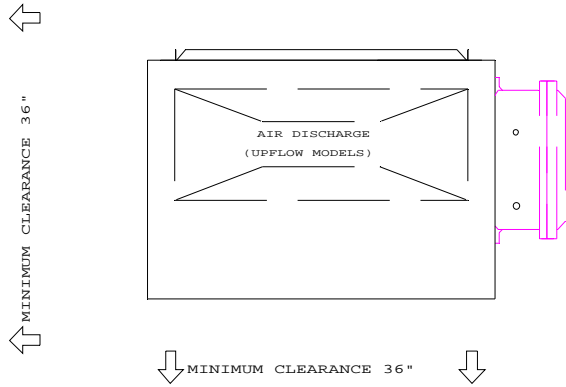
### Accessories and Options

Model No	Description
/ SS	Stainless Steel Housing, 14 ga Type 316 with 16 ga access panels, includes option "/ EC"
TCXP-C-1101	Thermostat, "Cool" or "Fan Only", Class I and II, Groups B, C and D, Divisions 1 and 2
TCXP-HC-1101	Thermostat, "Heat", "Cool" or "Fan Only"; Manual Switchover, Cl. I and II, Grps. B, C, and D, Div. 1 and 2
/ EH(kw)	Auxiliary Electric Heat (*), (specify kw)
/ SH(MBtuh)	Auxiliary Steam Heater, less trap or control solenoid, (specify MBtuh and supply pressure)
/ FDI	Disconnect Switch with Circuit Breaker Protection, installed
/ DSI	Disconnect Switch, non-fused, installed
/ LAC	Low Ambient Control, for operating at ambient temperatures between 0 and 50 °F
/ HGB	Hot Gas Bypass for capacity control
/ CC	<b>SaveCoil 101</b> oven baked coil coating on condenser and evaporator coils
/ EC	Full Corrosion Protection: Non stainless metal parts epoxy coated; Coils are <b>SaveCoil 101</b> protected
/ SDI	Smoke Detector, installed with system interlock
/ FAD	Manual Make-Up Air Damper
/ Cu-Cu	Copper coils and fins in lieu of copper coils w/ aluminum fins. End plates galvanized unless otherwise specied.
/ MAC	Make-Up Air Inlet Rain Cap
/ EXP	Export Crate, heavy duty, for rough handling and marine shipment

(\* ) Explosion proof heaters rated Temp Code T2A unless otherwise specified. Electric heaters for Div. 1 are field installed discharge air duct.



# AIR CONDITIONERS, Severe Duty



Your Representative is:

**SCIENTIFIC SYSTEMS CORPORATION**  
 A Member of Marduk Holding Corp.  
 WWW.SEVEREDUTY.COM

7924 Reco Avenue  
 Baton Rouge, Louisiana 70814 USA  
 Phone: (225) 926-6950  
 Toll Free: (800) 654-3857  
 FAX: (225) 926-6973