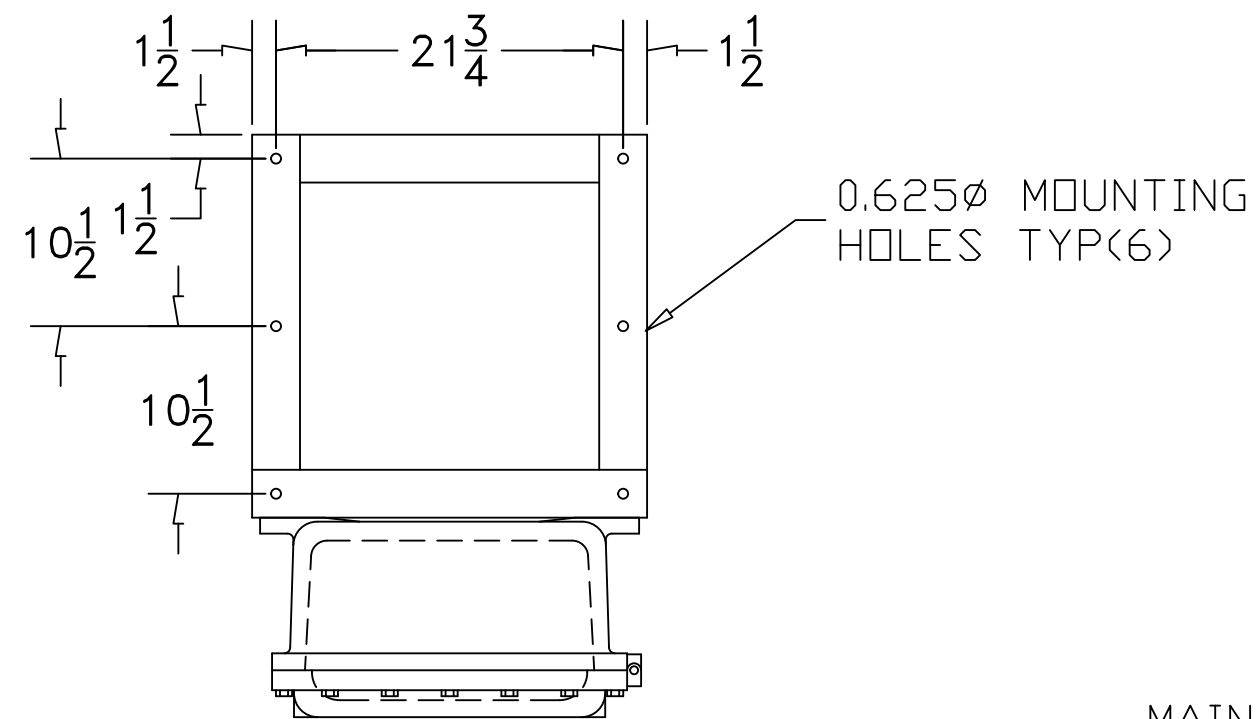


Certified As-Built

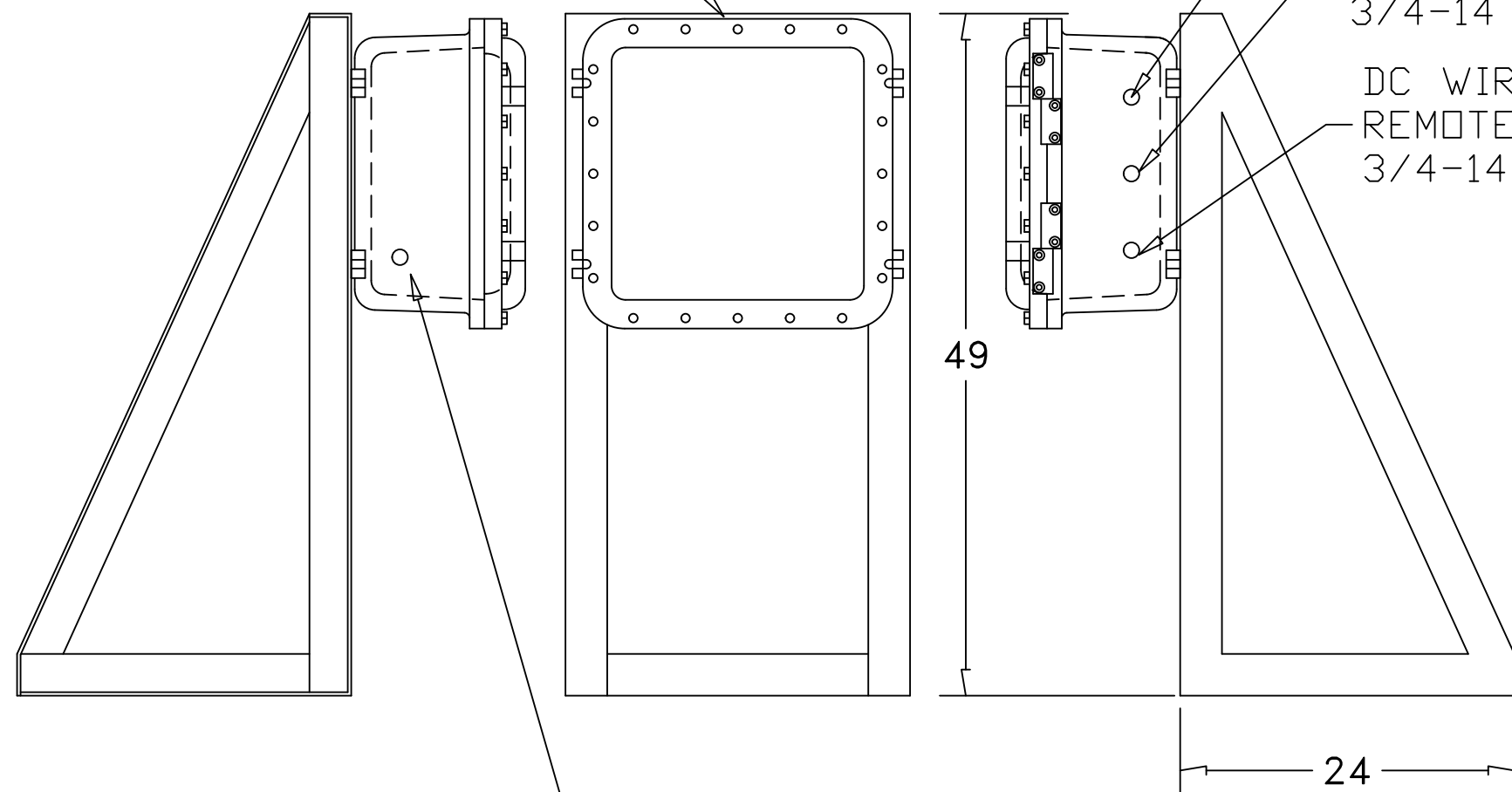
Date Issued: _____ By: _____



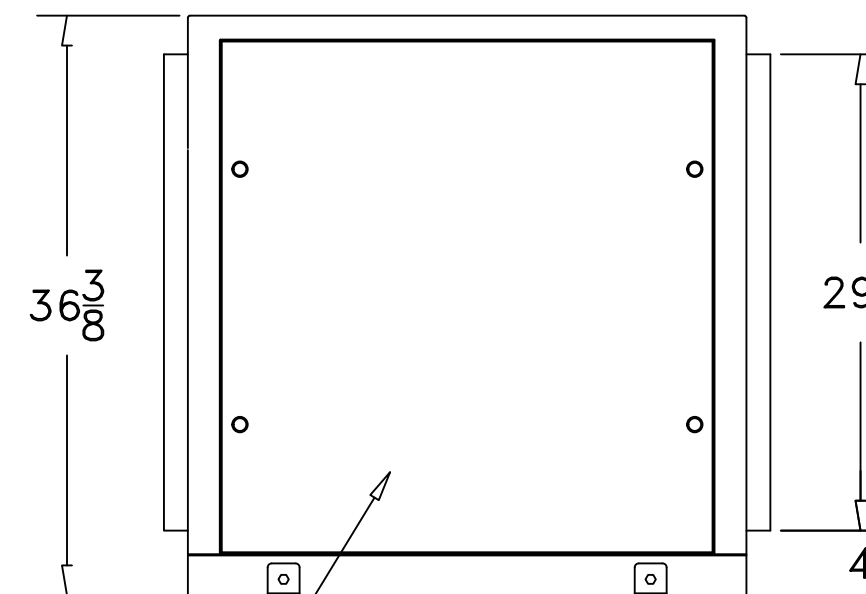
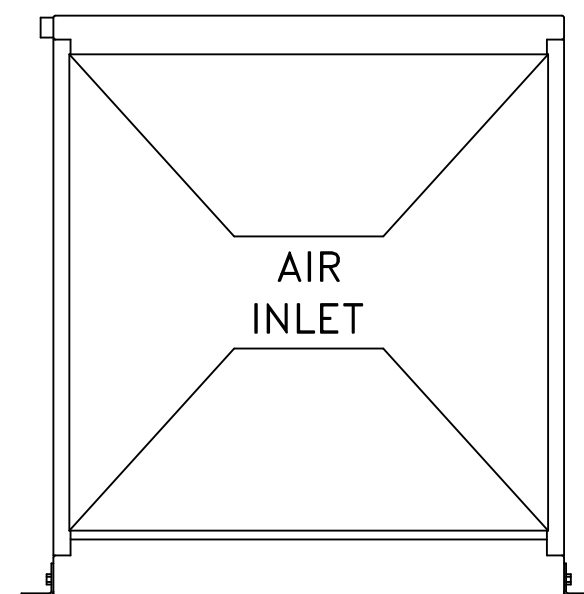
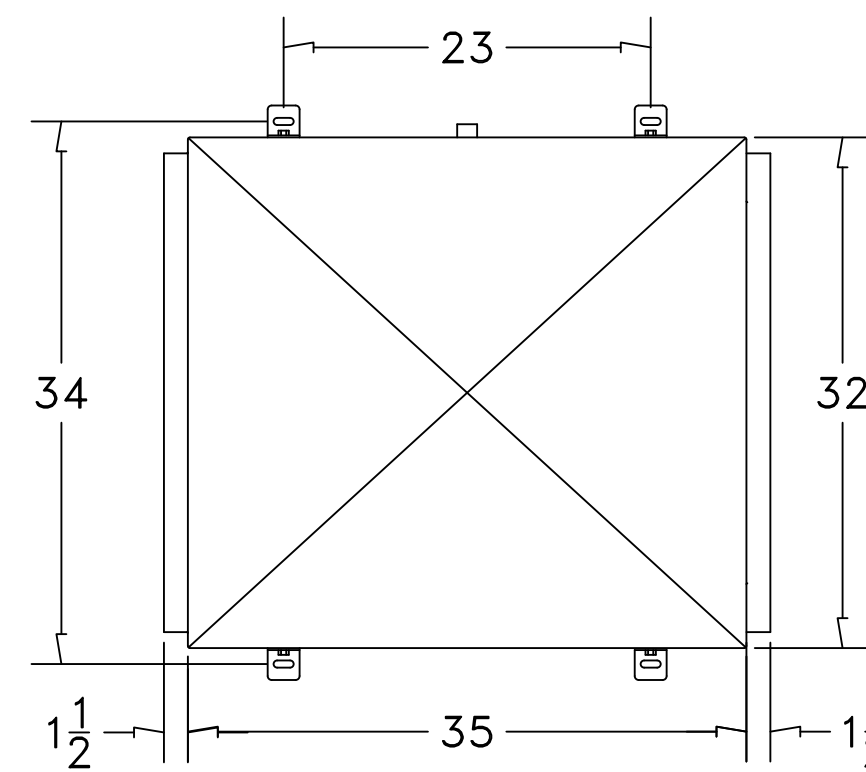
MAIN CONTROL BOX
REMOTE MOUNTED

0.625 ϕ MOUNTING
HOLES TYP(6)

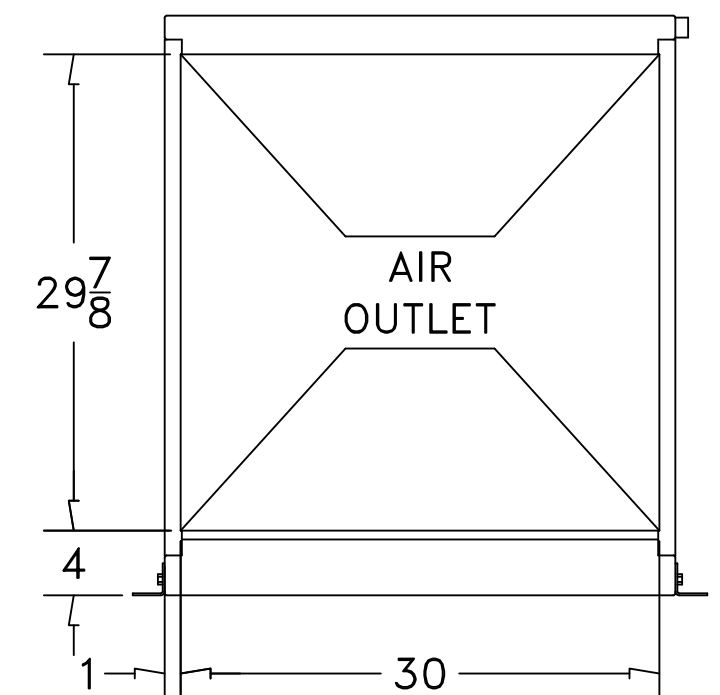
MAIN POWER CONNECTION
3/4" NPT
AC WIRING TO
REMOTE CONTROL BOX
3/4-14 NPT
DC WIRING TO
REMOTE CONTROL BOX
3/4-14 NPT



POWER WIRING TO
PRESSURE BLOWER
3/4-14 NPT



PRESSURE BLOWER MOTOR
AND FILTER ACCESS PANEL



NOTES:

1. MODEL NO.: PBX 15-4000-VS-NA-H-S-1.5-X-D-ICD2-316SS-MOD
2. N.E.C. CLASSIFICATION: CLASS I, GROUP C/D, DIVISION 2
3. APPROXIMATE WEIGHT: 750 LBS.
4. PRESSURE BLOWER SPECIFICATION
 - a. 4000 CFM @ 1.5 WC ESP
 - b. MOTOR 1 ea. 3 HP 4.1 F.L.A.
 - c. MATERIALS OF CONSTRUCTION: HOUSING
316 S/S FRAME HOT DIPPED GALVANIZED
5. DIMENSIONS SHOWN IN INCHES

.X= ± 0.1" .XX= ± 0.05" .XXX= ± 0.01" FRACTIONS= ± 1/8" ANGLES= ± 1.0°		C:\ACADR14\DATA\Logo.pcx	
MATRL		DRWN	L.D.T.
FINISH		CHKD	
ACAD#	42120147	APVD	
PBX 15-4000 DIMENSIONAL DATA SHEET		JOB#	
DWG.# 212-40-0147		REV	DATE
		SCALE	SHT OF