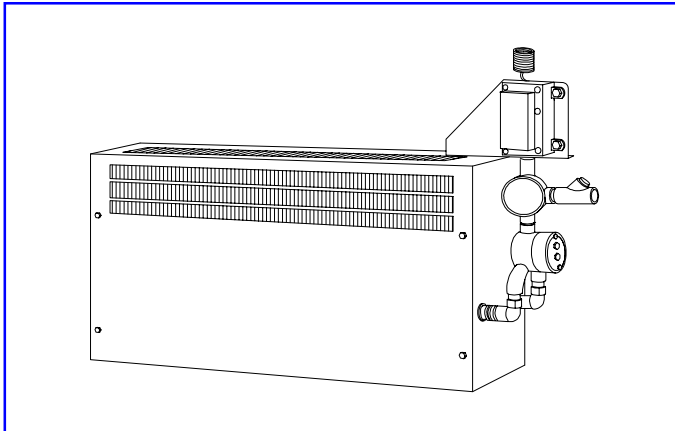




# Heaters and Controls for Hazardous Locations



## Wall or Floor<sup>(1)</sup> Mounting **CONVECTION HEATERS**

- UL or FM Listed for NEC Class I, Groups B, C and D, Divisions 1 and 2
- Capacities from 1.8 to 7.5 kw
- Factory Installed Thermostat<sup>(3)</sup> and Disconnect<sup>(4)</sup>
- Heavy Gauge Steel Cabinet with Beige Finish
- Finned Tubular Heaters for Even Heat Distribution
- Thermal Cutout with Automatic Reset
- 3-Phase Models with Built-In 115V or 24V<sup>(6)</sup> Control Transformer

### CONVECTION (CV) HEATERS for WALL or Floor<sup>(1)</sup> INSTALLATION<sup>(3,4)</sup>

MODEL EHP-	IDENT. NO. <sup>(5)</sup>	KW	BTUH	VAC/PH	AMPS	HEIGHT <sup>(2)</sup>	WIDTH <sup>(2)</sup>	DEPTH <sup>(2)</sup>	WT
						INCHES	INCHES	INCHES	NET LBS
0614CV-120/1-W-ID1-T3	T3	1.8	6,140	120/1	15.0	23-0/0	39-0/0	8-0/0	150
0614CV-208/1-W-ID1-T3	T3	1.8	6,140	208/1	8.7	23-0/0	39-0/0	8-0/0	150
0614CV-240/1-W-ID1-T3	T3	1.8	6,140	240/1	7.5	23-0/0	39-0/0	8-0/0	150
0614CV-208/3-W-ID1-T3	T3	1.8	6,140	208/3	5.1	23-0/0	39-0/0	8-0/0	150
0614CV-240/3-W-ID1-T3	T3	1.8	6,140	240/3	4.4	23-0/0	39-0/0	8-0/0	150
1024CV-208/1-W-ID1-T2B	T2B	3.0	10,240	208/1	14.5	23-0/0	39-0/0	8-0/0	150
1024CV-240/1-W-ID1-T2B	T2B	3.0	10,240	240/1	12.5	23-0/0	39-0/0	8-0/0	150
1024CV-208/3-W-ID1-T2B	T2B	3.0	10,240	208/3	8.4	23-0/0	39-0/0	8-0/0	150
1024CV-240/3-W-ID1-T2B	T2B	3.0	10,240	240/3	7.3	23-0/0	39-0/0	8-0/0	150
1024CV-480/3-W-ID1-T2B	T2B	3.0	10,240	480/3	3.7	23-0/0	39-0/0	8-0/0	150
1229CV-208/1-W-ID1-T3	T3	3.6	12,290	208/1	17.4	23-0/0	68-0/0	8-0/0	200
1229CV-240/1-W-ID1-T3	T3	3.6	12,290	240/1	15.0	23-0/0	68-0/0	8-0/0	200
1229CV-208/3-W-ID1-T3	T3	3.6	12,290	208/3	10.1	23-0/0	68-0/0	8-0/0	200
1229CV-240/3-W-ID1-T3	T3	3.6	12,290	240/3	8.7	23-0/0	68-0/0	8-0/0	200
1229CV-480/3-W-ID1-T3	T3	3.6	12,290	480/3	4.4	23-0/0	68-0/0	8-0/0	200
1536CV-240/1-W-ID1-T2C	T2C	4.5	15,360	240/1	18.8	23-0/0	68-0/0	8-0/0	200
1536CV-240/3-W-ID1-T2C	T2C	4.5	15,360	240/3	10.9	23-0/0	68-0/0	8-0/0	200
1536CV-480/3-W-ID1-T2C	T2C	4.5	15,360	480/3	5.5	23-0/0	68-0/0	8-0/0	200
2049CV-208/3-W-ID1-T2B	T2B	6.0	20,490	208/3	16.7	23-0/0	68-0/0	8-0/0	200
2049CV-240/3-W-ID1-T2B	T2B	6.0	20,490	240/3	14.5	23-0/0	68-0/0	8-0/0	200
2049CV-480/3-W-ID1-T2B	T2B	6.0	20,490	480/3	7.3	23-0/0	68-0/0	8-0/0	200
2561CV-208/3-W-ID1-T2	T2	7.5	25,610	208/3	20.9	23-0/0	68-0/0	8-0/0	200
2561CV-240/3-W-ID1-T2	T2	7.5	25,610	240/3	18.1	23-0/0	68-0/0	8-0/0	200
2561CV-480/3-W-ID1-T2	T2	7.5	25,610	480/3	9.1	23-0/0	68-0/0	8-0/0	200

(1) Price includes wall mounting bracket. For floor installations change "W" in order code to "F" and add \$ ..... to the base price.

(2) Dimensions subject to change. To confirm dimensions, request certified engineering data sheet with purchase order.

(3) For factory installed thermostat, 50° to 90°F (10° to 32°C) range: Add "-TIN" to heater model number, \$ ..... to the base price for Groups C+D or \$ ..... for Groups B, C+D.

(4) If Fused Disconnect Switch is to be factory installed, add "-FDI" to order code and add \$ .....to the base price.

(5) All models are UL or FM LISTED for hazardous locations classified NEC Class I, Groups B, C + D, Divisions 1 and 2 and for the listed NEC Identification Number. See Liquid-to-Air Heaters or contact factory for models rated for other hazard classifications.

(6) For 3-phase models with 24 Volt controls add "-24" to the heater model number.